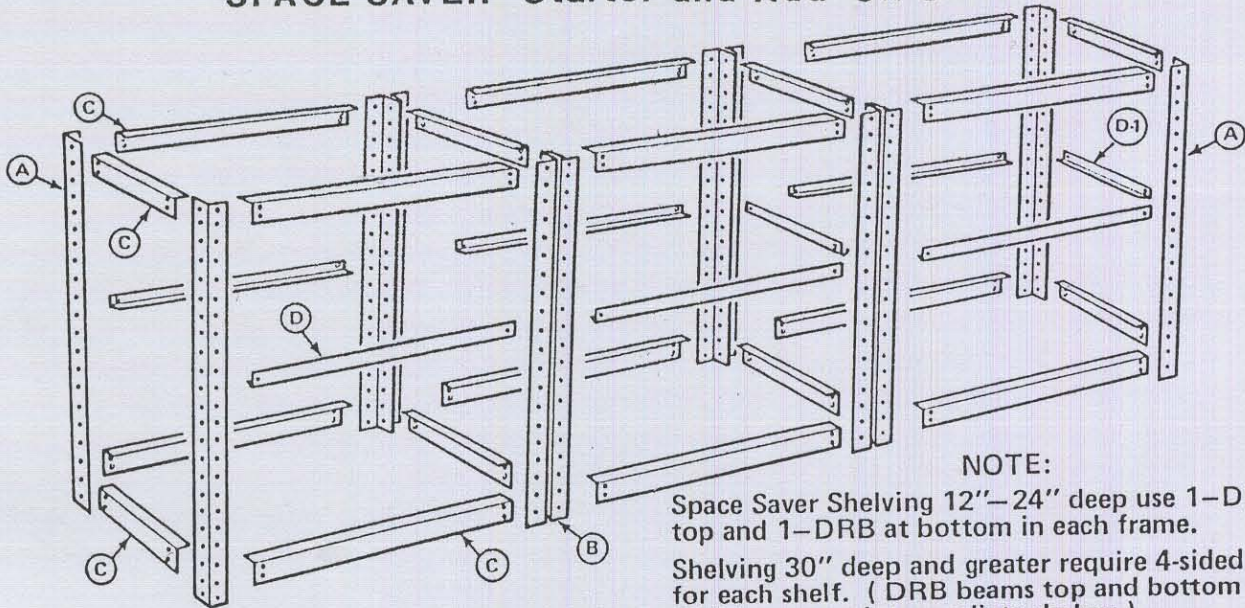


RAPID RACK® STARTER ADD-ON


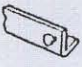
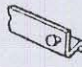
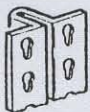
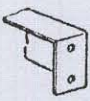
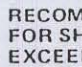

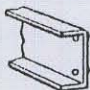
Assembly Instructions

SPACE SAVER Starter and Add-On Units



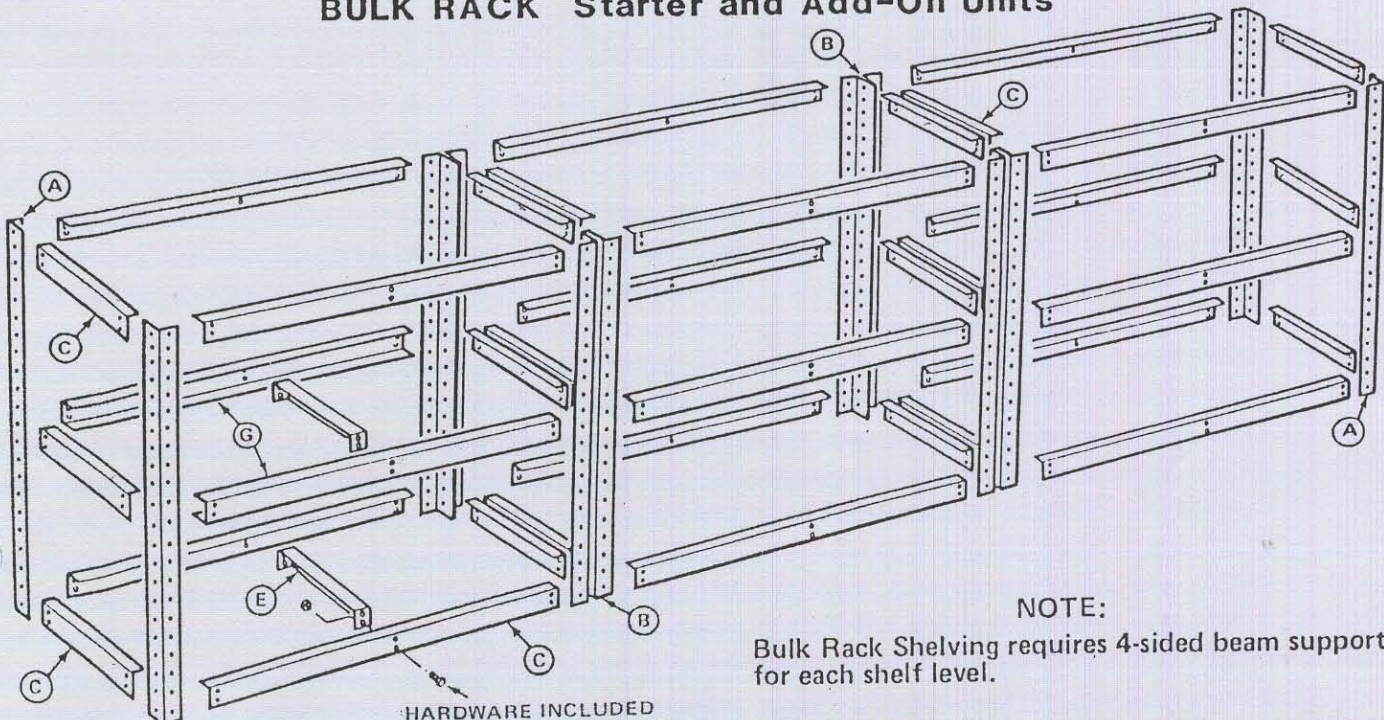
NOTE:
 Space Saver Shelving 12"-24" deep use 1-DRB at top and 1-DRB at bottom in each frame.
 Shelving 30" deep and greater require 4-sided support for each shelf. (DRB beams top and bottom and SRB beams on intermediate shelves)

COMPONENT PARTS

- | | | |
|---|---|---|
| (A)  ANGLE POST HEAVY DUTY | (D)  SINGLE RIVET BEAM | (H)  SINGLE RIVET BEAM HEAVY DUTY (OPTIONAL) |
| (B)  TEE POST HEAVY DUTY | (E)  SUPPORT TIE OPTIONAL CENTER TIE SUPPORT | (D-1)  RECOMMENDED FOR SHELVES EXCEEDING 24" IN DEPTH OR AS REQUIRED WITH USE OF SRBHD'S |
| (C)  DOUBLE RIVET BEAM | (G)  DOUBLE RIVET CHANNEL BEAM OPTIONAL | |

NOTE:
 All shelving components insert into slots of post and must be seated into bottom of slot with a mallet or hammer.

BULK RACK Starter and Add-On Units



NOTE:
 Bulk Rack Shelving requires 4-sided beam support for each shelf level.

HARDWARE INCLUDED